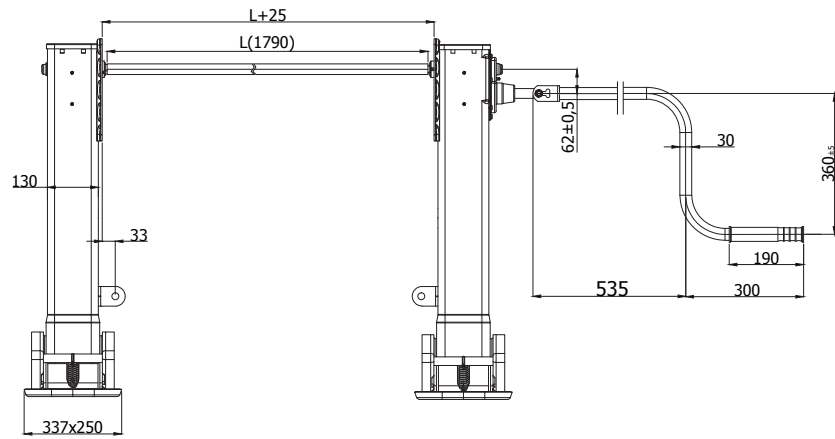
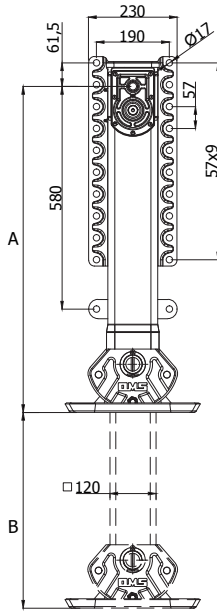
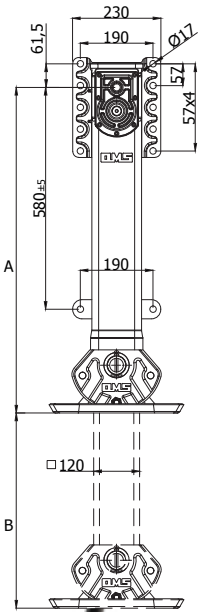




3G PART NO	BACKPLATE	OPEN (A+B)	CLOSE (A)	EXTENSION (B)
ML0300	LONG	1260mm	800mm	460mm
ML0301	LONG	1360mm	850mm	510mm
ML0302	SHORT	1360mm	850mm	510mm



FEATURES ARE AS FOLLOWS:

- Manufactured from 3mm ST52 Grade Steel.
- One-piece external tube.
- Dynamic Lifting Capacity 25 Ton
- Static Lifting Capacity 50 Ton
- Max Rotating Force 210 N
- Integral Gearbox
- Low Gear 0.98mm per revolution
- High Gear 10mm per revolution
- 10-15 Kg Lighter than Major Competitors
- Nanotechnology Primer & Electrostatic Powder Coating

